



**HI-LITE**  
ALUMINUM CONCRETE SUPPORT SYSTEMS

## 12K Aluminum Shoring Frames

The Hi-Lite 12K aluminum shoring frame system has a capacity of up to 11,000kg (24,000 lbs) per frame using a safety factor of 2.5. The 4' by 6' frame weighs less than 14kgs (30lbs.)

### Higher productivity

Our Hi-Lite 12K Aluminum Shoring System comes with an easy-to-handle design to go with the light weight. That means one man might be able to do work that would require two or more if the material were steel or wood. Setting the frame with a crane or hand setting it are both available options.

### High durability

Aluminum frames resist damage. They are reusable and, despite being assembled and reassembled many times, they experience less on-site damage as workers find them easy to handle.



12K Aluminum Shoring Frames



### Highly versatile

The Hi-Lite aluminum shoring frame will adapt to slopes or steps, whether they are at the top or bottom – or both at the same time. Swivel head screwjacks eliminate wedging. Almost any condition can be mastered using combinations of screwjacks, base plates and extension tubes. The adjustability of the system is the contractor's assurance that the project will proceed on schedule.

### Low maintenance and handling costs

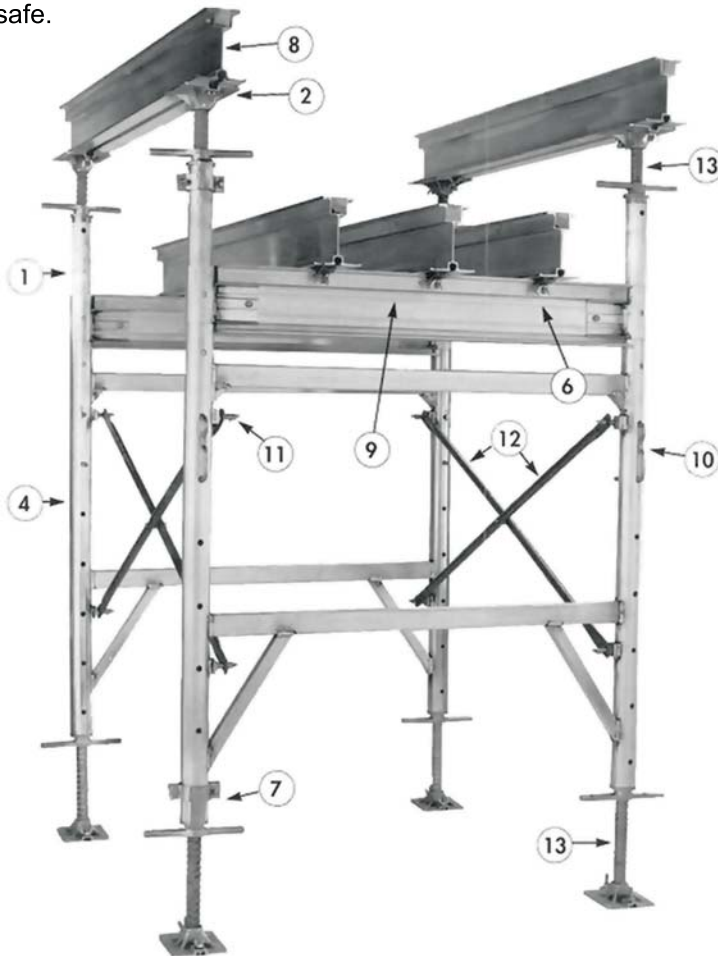
Hi-Lite aluminum shoring frames are almost maintenance free. They do not rust and never require painting. Damage resistance increases their service life. Lower weight means less inventory and that leads to lower storage, transportation, and handling costs.

**Experience the  
Hi-Lite Advantage**

**Call 1-877-HILITE-1 (1-877-445-4831) to request a  
demonstration of our Hi-Lite Aluminum Systems.**

## Product Highlights

- No more than 1/3 the weight of the comparable load bearing steel frame.
- Loads as high as 13,800 kg (30,000 lbs) can be supported with a safety factor of 2.0.
- Designed to replace traditional 20K steel frame shoring and other modular systems.
- Inter-bracing feature helps maintain full load capacity in high towers.
- Snap-on Jet Locks make erection and dismantling fast, easy and safe.



Part No.	Frames Specification Height x Width	Weight	
		lbs	Kgs
12FM42	1.2m x 0.6m (4'x2')	16.5	7.5
12FM44	1.2m x 1.2m (4'x4')	19.8	9.0
12FM45	1.2m x 1.5m (4'x5')	21.5	9.8
12FM46	1.2m x 1.8m (4'x6')	23.2	10.5
12FM42	1.2m x 0.6m (5'x2')	21.8	9.9
12FM44	1.2m x 1.2m (5'x4')	26.8	12.2
12FM45	1.2m x 1.5m (5'x5')	29.3	13.3
12FM46	1.2m x 1.8m (5'x6')	31.8	14.4
12FM42	1.2m x 0.6m (6'x2')	25.7	11.7
12FM44	1.2m x 1.2m (6'x4')	30.8	14.0
12FM45	1.2m x 1.5m (6'x5')	33.3	15.1
12FM46	1.2m x 1.8m (6'x6')	35.8	16.2
12FM42	1.2m x 0.6m (8'x2')	34.0	15.4
12FM44	1.2m x 1.2m (8'x4')	40.7	18.5
12FM45	1.2m x 1.5m (8'x5')	44.1	20.0
12FM46	1.2m x 1.8m (8'x6')	47.5	21.5

1. Extension Tube
2. Extension Tube Plate
3. U-Heads (not shown)
4. Frame Legs
5. Frame Coupling Pin (not shown)
6. Beam Clip with T-Head Bolt
7. Retaining Clamp
8. Aluminum Beam Stringer of Joist
9. Saddle Beam
10. Extension Tube Support Pin (U-Pin)
11. Jet Locks
12. Cross Braces
13. Screw Jack – Swivel or Fixed Base

For more details visit  
[www.hi-lite-systems.com/12k](http://www.hi-lite-systems.com/12k)

Contact us for engineering data including maximum loads for strength to weight ratios, load capacities, quality control specifications and other technical data.

## About HI-LITE

With over fifty years of innovation and experience, HI-LITE is the leader in aluminum construction products used by concrete contractors around the world.



The management system governing the manufacture of this product is ISO 9001:2000 certified

### HI-LITE SYSTEMS

1680 Bonhill Rd., Mississauga, Ontario, Canada, L5T 1C8  
 Tel: (905) 677-4032  
 Toll-free: 1-877-HILITE-1 (1-877-445-4831)  
 Fax: (905) 677-4542  
 Web site: [www.hi-lite-systems.com](http://www.hi-lite-systems.com)  
 E-mail: [hilite@hi-lite-systems.com](mailto:hilite@hi-lite-systems.com)